

1/2" IMPACT UNIVERSAL JOINT | E113620

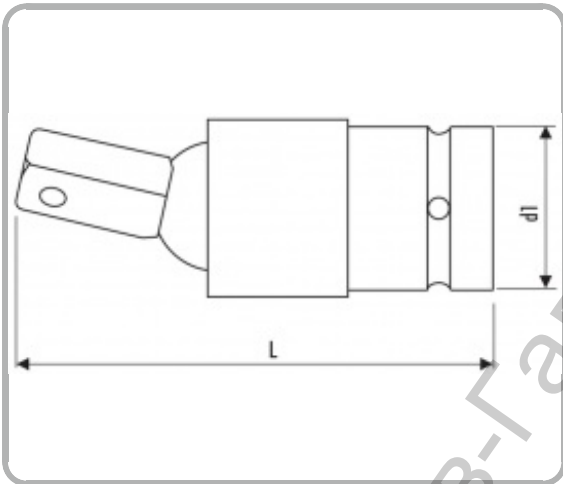


Description

- Designed specifically to withstand demands of impact machinery.
- Chrome-Molybdenum steel.
- For your safety, use Impact sockets with appropriate rings and pins.

Information

EAN	3258951136201
d1 [mm]	32
L [mm]	60
Conditioning	1
[g]	170



Ташев-Галвинг ООД
www.tashev-galving.com